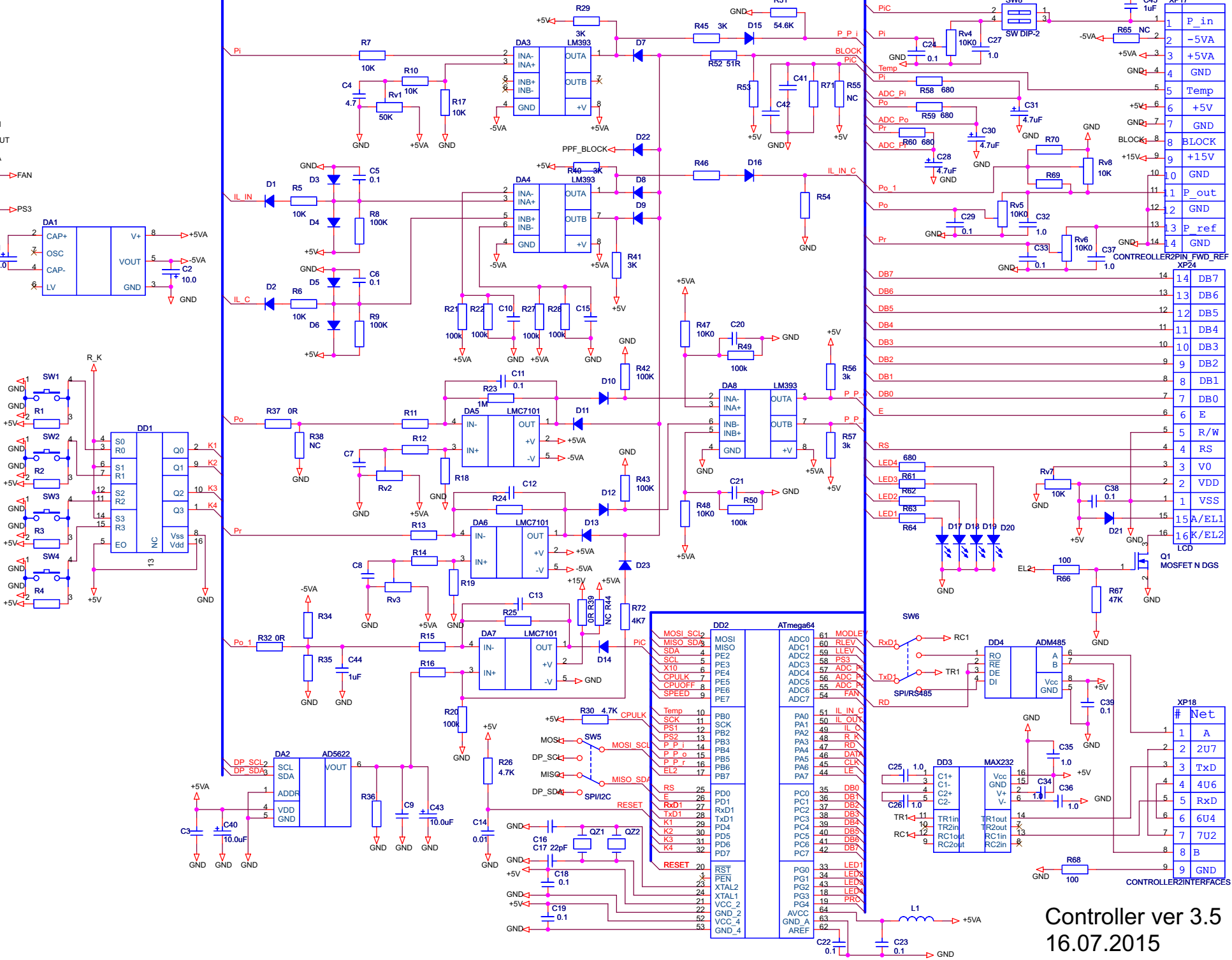


Net	#
SDA	1
SCL	2
PRC	3
PS1	4
PS2	5
IL_IN	6
IL_OUT	7
+5VA	8
FAN	9
+5VA	10
PS3	11
+5V	12
GND	13
+5V	14
GND	15
+15V	16
GND	17
+15V	18
NC	19
+18V	20
GND	21
+18V	22
GND	23
PPF_BLOCK	24

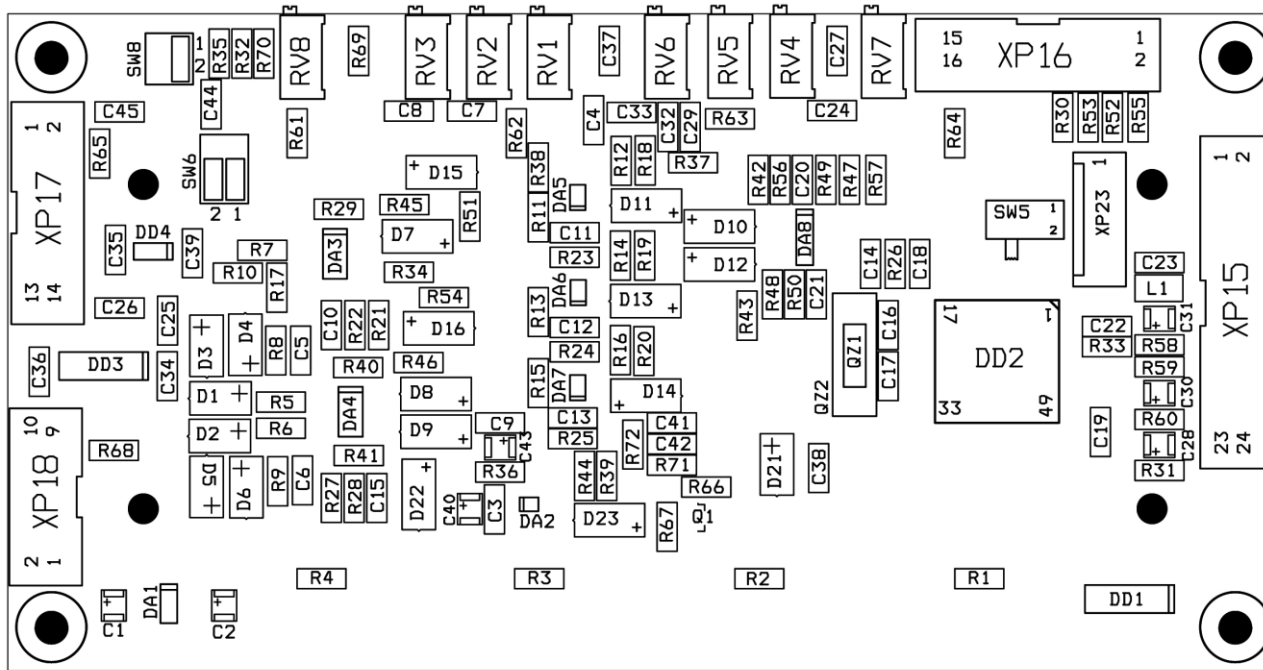
Net	#
GND	1
DATA	2
CPULK	3
CLK	4
MODLEV	5
LE	6
X10	7
CPUOFF	8
RLEV	9
LLEV	10
SPEED	11
+5V	12
+18V	13
+18V	14
GND	15
GND	16

Net	#
VCC	1
GND	2
MOSI	3
MISO	4
RESET	5
SCK	6



Controller ver 3.5
16.07.2015

Controller 3.5 Mount Top [11.11.2015] UPD



Controller 3.5 Mount Bot [11.11.2015] UPD

